

06 GN 1/1 ELECTRIC CONVECTION / STEAM OVEN
FORNO CONVEZIONE / VAPORE ELETTRICO 06 GN 1/1

PNC	Model	Ref	Group	Level	Page	Notes
190276	AOS061ECN2	p1	AOS	Level C	2...13	230V 3N Marine
236200	FCZ061EKA	U	FCZ	Level K	2...13	400V 3N 50Hz
236208	FCZ061EKAS	q1	FCZ	Level K	2...13	400V 3N 50Hz
236220	FCZ061EKN	V	FCZ	Level K	2...13	230V 3N
237200	FCZ061ETA	a	FCZ	Touch	2...13	400V 3N 50Hz
237210	FCZ061ETH	b	FCZ	Touch	2...13	400V 3N 50Hz P80
237220	FCZ061ETN	c	FCZ	Touch	2...13	230V 3N
237300	FCZ061ETK	i1	FCZ	Touch	2...13	400V 3N 50hz UK version
238200	FCZ061EBA2	d	FCZ	Level B	2...13	400V 3N 50hz
238210	FCZ061EBH2	e	FCZ	Level B	2...13	400V 3N 50Hz P80
238220	FCZ061EBN2	f	FCZ	Level B	2...13	230V 3N
238230	FCZ061EBC2	g	FCZ	Level B	2...13	200V 3 60Hz Japan
238300	FCZ061EBK2	r1	FCZ	Level B	2...13	400V 3N 50hz
239200	FCZ061ECA2	h	FCZ	Level C	2...13	400V 3N 50hz
239210	FCZ061ECH2	m	FCZ	Level C	2...13	400V 3N 50Hz P80 model
239220	FCZ061ECN2	n	FCZ	Level C	2...13	230V 3N
239340	FCZ061ECAS	g1	FCZ	Level C	2...13	400V 3N 50/60 Hz
266200	AOS061EKA1	R	AOS	Level K	2...13	400V 3N 50Hz
266220	AOS061EKN1	S	AOS	Level K	2...13	230V 3N
266280	AOS061EKM1	T	AOS	Level K	2...13	208V 3 USA
266320	AOS061EKV1	f1	AOS	Level K	2...13	480 3 60HZ USA
266350	AOS061EKR1	a1	AOS	Level K	2...13	400V 3N 50/60HZ AUS
267011	AOS061ETJS	o	AOS	Touch	2...13	400V 3N 50hz
267060	AOS061ETAS	o	AOS	Touch	2...13	400V 3N 50hz
267200	AOS061ETA1	o	AOS	Touch	2...13	400V 3N 50hz
267210	AOS061ETH1	p	AOS	Touch	2...13	400V 3N 50Hz P80 model
267220	AOS061ETN1	q	AOS	Touch	2...13	230V 3N
267230	AOS061ETC1	r	AOS	Touch	2...13	200V 3 60Hz Japan
267240	AOS061ETE1	s	AOS	Touch	2...13	440V 3 Marine
267250	AOS061ETF1	t	AOS	Touch	2...13	400V 3 Marine
267280	AOS061ETM1	u	AOS	Touch	2...13	208V 3 USA
267300	AOS061ETK1	z	AOS	Touch	2...13	400V 3N UK version
267320	AOS061ETV1	w	AOS	Touch	2...13	480V 3 USA
267350	AOS061ETR1	b1	AOS	Touch	2...13	400V 3N 50/60HZ AUS
268001	AOS061EBS	o1	AOS	Level B	2...13	400V 3N 50/60HZ
268011	AOS061EBS	o	AOS	Level B	2...13	400V 3N 50/60HZ
268200	AOS061EBA2	B	AOS	Level B	2...13	400V 3N 50HZ

Rev. 19

06 GN 1/1 ELECTRIC CONVECTION / STEAM OVEN
FORNO CONVEZIONE / VAPORE ELETTRICO 06 GN 1/1

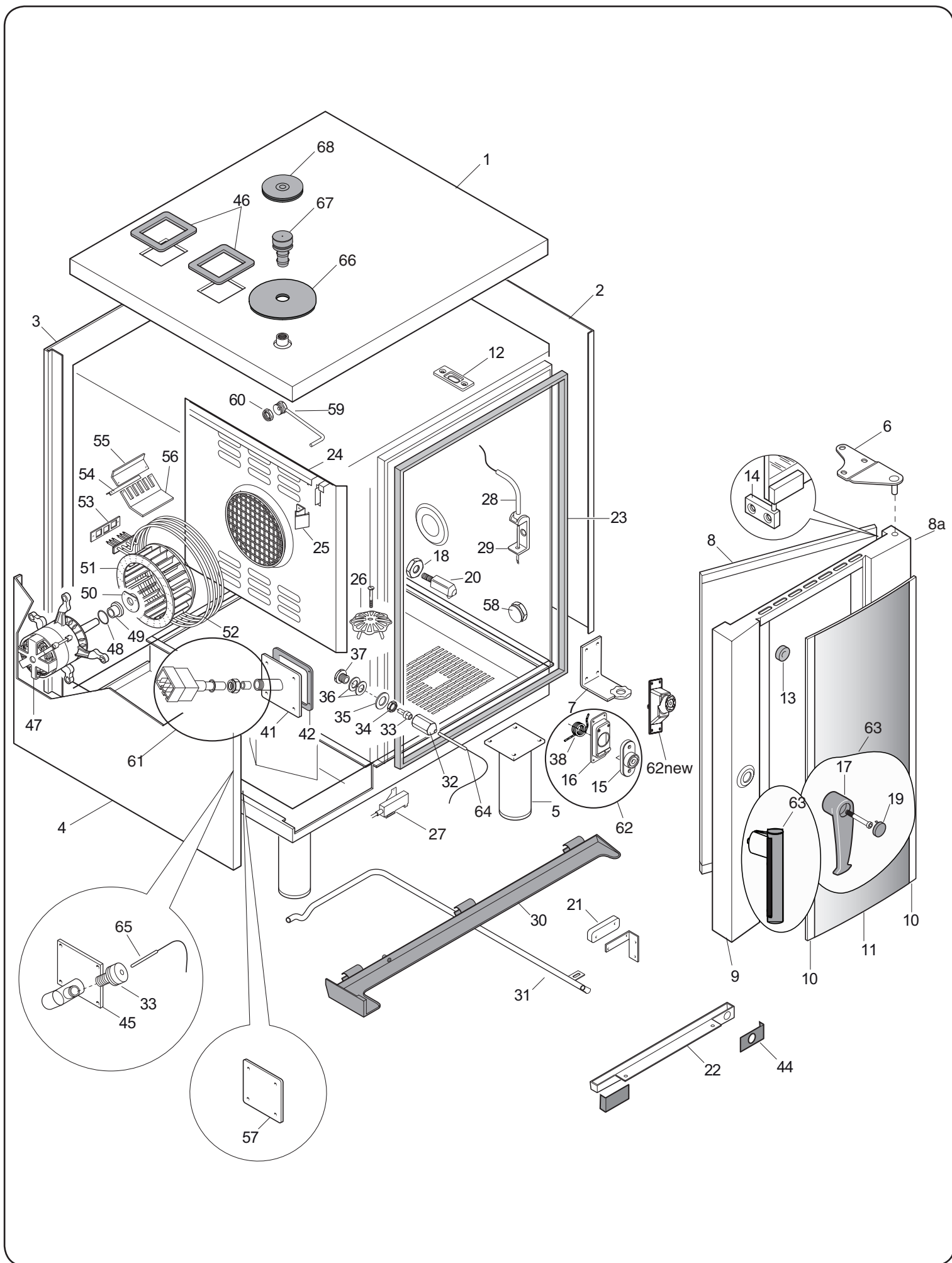
PNC	Model	Ref	Group	Level	Page	Notes
268210	AOS061EBH2	C	AOS	Level B	2...13	400V 3N 50Hz P80 model
268220	AOS061EBN2	D	AOS	Level B	2...13	230V 3N
268230	AOS061EBC2	E	AOS	Level B	2...13	200V 3 60Hz Japan
268240	AOS061EBE2	F	AOS	Level B	2...13	440V 3 Marine
268250	AOS061EBF2	G	AOS	Level B	2...13	400V 3 Marine
268260	AOS061EB12	I1	AOS	Level B	2...13	480V 3 Marine
268300	AOS061EBK2	H	AOS	Level B	2...13	400V 3N UK version
268350	AOS061EBR2	c1	AOS	Level B	2...13	400V 3N 50/60HZ AUS
269200	AOS061ECA2	L	AOS	Level C	2...13	400V 3N 50hz
269210	AOS061ECH2	M	AOS	Level C	2...13	400V 3N 50Hz P80 model
269220	AOS061ECN2	N	AOS	Level C	2...13	230V 3N
269240	AOS061ECE2	m1	AOS	Level C	2...13	440V 3 Marine
269250	AOS061ECF2	n1	AOS	Level C	2...13	400V 3 Marine
269280	AOS061ECM1	Q	AOS	Level C	2...13	208V 3 USA
269300	AOS061ECK2	O	AOS	Level C	2...13	400V 3N UK version
269320	AOS061ECV1	e1	AOS	Level C	2...13	480 3 60HZ USA
269330	AOS061ECY2	P	AOS	Level C	2...13	400V 3N Bakery
269340	AOS061ECAS	h1	AOS	Level C	2...13	400V 3N
269350	AOS061ECR1	d1	AOS	Level C	2...13	400V 3N 50/60HZ AUS

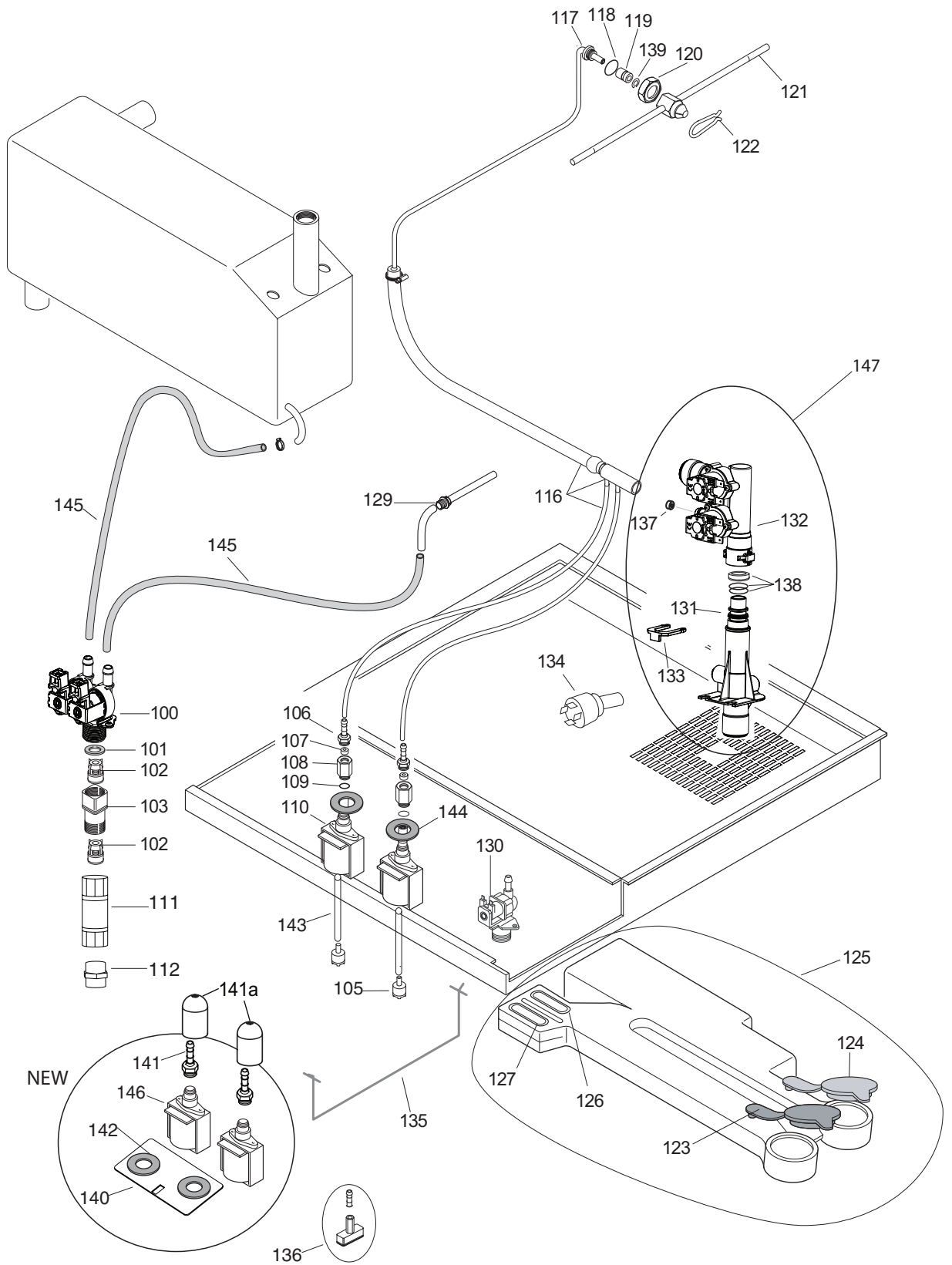
Page	Index	Indice	Note
3	Oven cabinet and door	Cella forno e porta	
4	Water system	Impianto idraulico	
5	Boiler	Boiler	
6	Electrical components	Componenti elettrici	
7	Accessories	Accessori	
8...15	Spare parts list	Lista ricambi	
15	Maintenance kit	Kit di manutenzione	

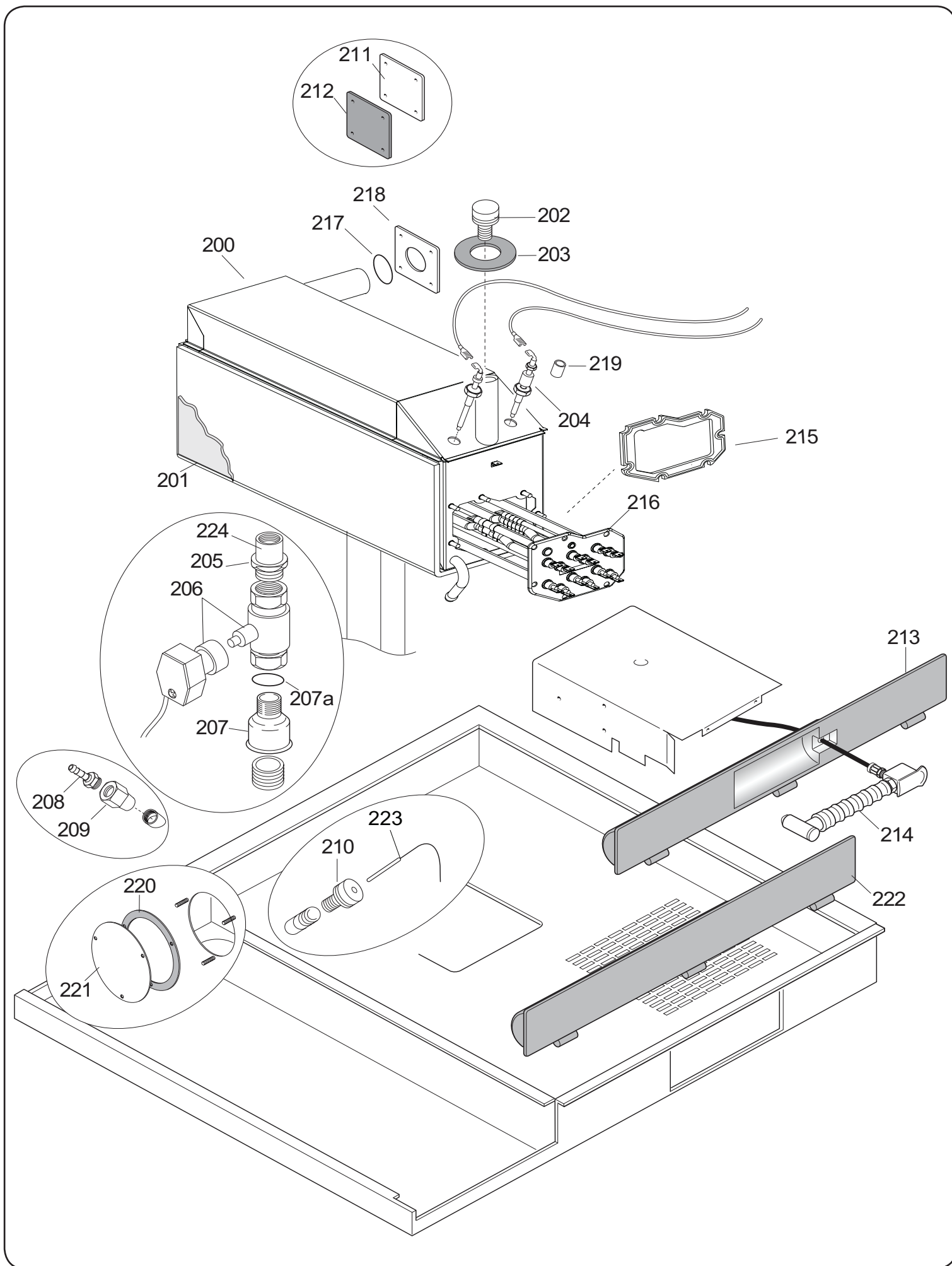
Bold=last change / Grassetto =ultima modifica

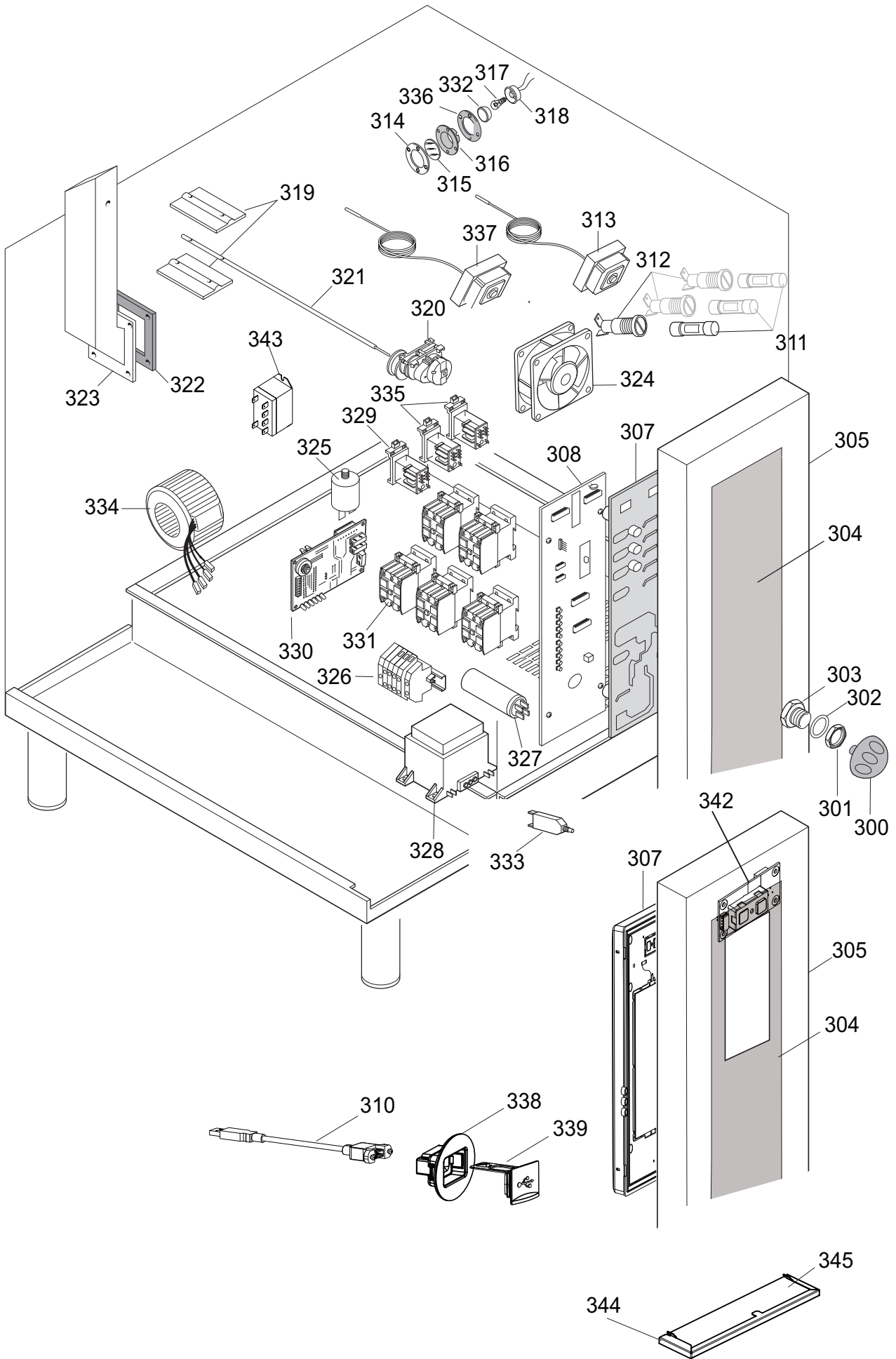
Rev. 19
Brand/Marchio: All
Factory Code: 9PDD

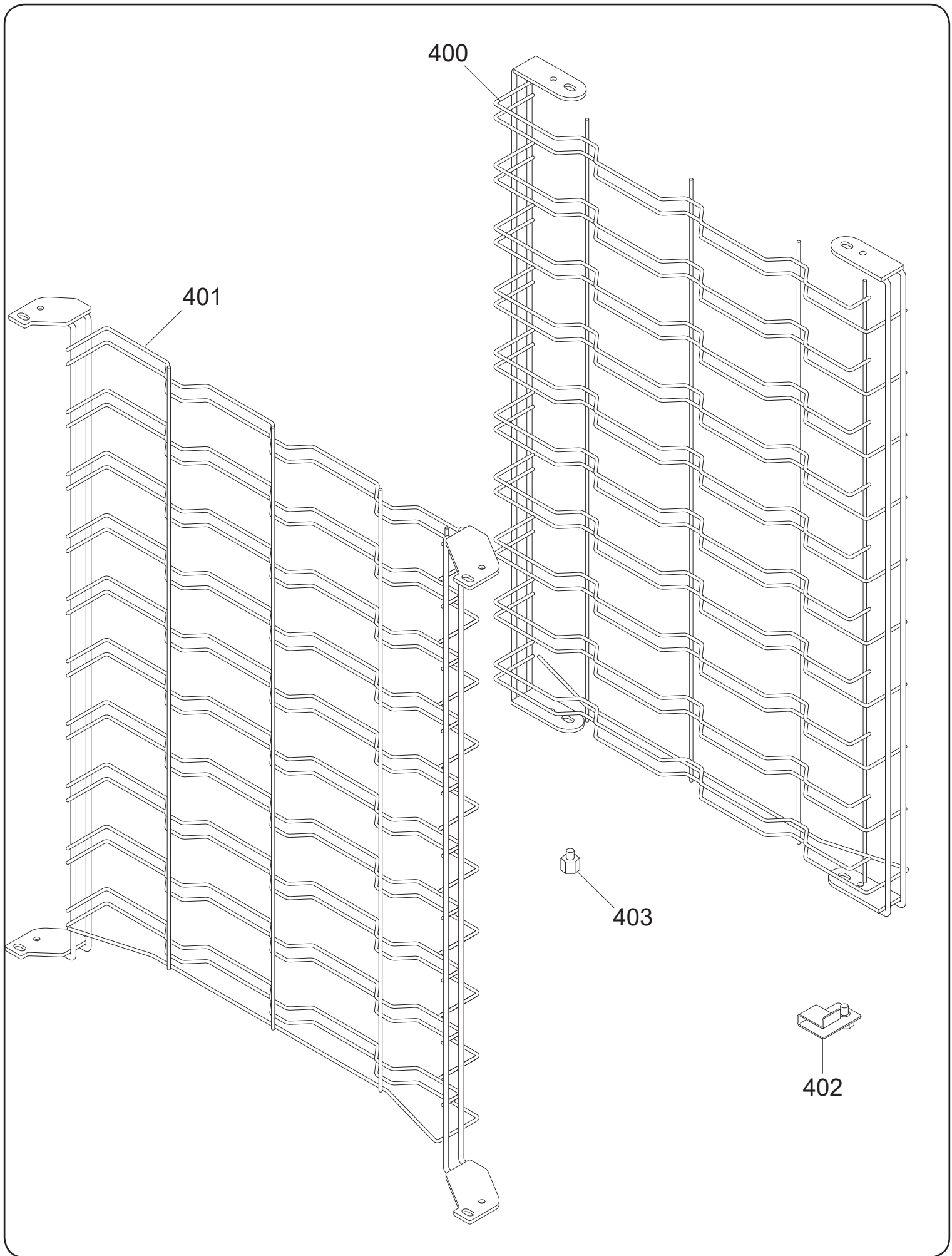
From Ser. Nr.... Up to Ser. Nr....	Ed. 2019-08	Page: 2	Doc No: 875400T00
---------------------------------------	-------------	---------	--------------------------











06 GN 1/1 ELECTRIC CONVECTION / STEAM OVEN
FORNO CONVEZIONE / VAPORE ELETTRICO 06 GN 1/1

Pos	Factory Code	Spare part code	Descrizione	Description	Ref./Notes
			Pagina 3	Page 3	
1	0530891301	0C6177	COPERCHIO	COVER	
2	0530890801	0C6173	FIANCO DX	RIGHT SIDE PANEL	
3	0530892600	0C6189	SCHIENALE	BACK PANEL	
3	0530893000	0C6193	SCHIENALE	BACK PANEL	Marine
4	0530893200	0C6195	FIANCO SX	LEFT SIDE PANEL	
5	0831850900	0C4892	PIEDINO	FOOT	From 2008/01 up to 2012/18
5	0831842202	0C4233	PIEDINO	FOOT	Up to 2007/52 from 2012/19
5	0806872300	0C4823	PIEDINO	FOOT	Marine
6	0806847803	0C4234	CERNIERA SUPERIORE	UPPER HINGE	
7	0806861600	0C4235	CERNIERA INFERIORE	LOWER HINGE	up to 3341...
7	0510400000	0C9574	CERNIERA INFERIORE	LOWER HINGE	from 3351...
8	0873869802	0C6395	VETRO INTERNO	INNER GLASS	
8a	0850400N00	0C6575	TELAIO PORTA	DOOR CHASSIS	
9	0879400404	0C6600	PORTA COMPLETA(8+8a+13+14+62)	COMPLETE DOOR(8+8a+13+14+62)	
9	0879400A04	0C6605	PORTA COMPLETA(8+8a+13+14+62)	COMPLETE DOOR(8+8a+13+14+62)	Marine
-	0518806205	0C6051	MOLLA FERMAVETRO INTERNO	SPRING FOR INTERNAL GLASS	
10	0806859202	0C4478	PROFILO DX-SX	RIGHT AND LEFT TRIM	
11	0574400100	0C6558	VETRO ESTERNO	EXTERNAL GLASS	for Group AOS
11	0574818301	0C4942	VETRO ESTERNO	EXTERNAL GLASS	for Group FCZ
12	0543839700	0C4088	GUARNIZIONE FLANGIA SPILLONE	GASKET	
13	0543828001	006976	AMMORTIZZATORE	DAMPER	
14	0806822000	007007	CERNIERA VETRO INTERNO	HINGE, INNER GLASS	
15	0835871801	0C4089	GR.CHIUSURA A SCATTO 'HRS'	CLOSING MECHANISM	
16	0510824200	0C4237	SUPPORTO GR.CHIUSURA	SUPPORTO	
17	0548871501	0C4090	MANIGLIA CHIUSURA A SCATTO	DOOR HANDLE	
18	0516896401	0C4238	DADO FISSAGGIO	NUT FOR DOOR CATCHER	
19	0546822600	0C4091	TAPPO PER MANIGLIA 'HRS'	DOOR COVER HANDLE	
20	0806859900	0C4092	NASELLO SINGOLO SCATTO	DOOR CATCHER	
21	0699603700	049627	MAGNETE	MAGNET	
22	0528869501	0C4239	VASCHETTA RACC.CONDENSE	DOOR DRAIN TRAY	
23	0543833900	0C1496	GUARNIZIONE CELLA-PORTA LW 6	GASKET	
-	0147098067	003926	SIGILLANTE (RED)	RED SEALANT	
24	0831846702	0C4618	PARETE DI ASPIRAZIONE	SUCTION WALL	
25	0518807301	0C3423	MOLLA AGGANCIIO PARETE	SPRING	
26	0518808600	0C1740	FILTRO FONDO	FILTER	
27	0654600000	049621	INTERRUTTORE MAGNETICO	MAGNETIC SWITCH	
28	0831831000	0C4240	SPILLONE CURVO MULTIPOINT	MEAT PROBE MULTI POINT	for Touch Level up to 7391
28	0830407601	0CB214	SPILLONE CURVO MULTIPOINT	MEAT PROBE MULTI POINT	for Touch Level from 7401

06 GN 1/1 ELECTRIC CONVECTION / STEAM OVEN
FORNO CONVEZIONE / VAPORE ELETTRICO 06 GN 1/1

Pos	Factory Code	Spare part code	Descrizione	Description	Ref./Notes
28	0831830700	0C4241	SPILL. CURVO SINGOLO PUNTO	MEAT PROBE SINGLE POINT	for Level B,C,K up to 7391
28	0830407501	0CB213	SPILL. CURVO SINGOLO PUNTO	MEAT PROBE SINGLE POINT	for Level B,C,K from 7401
29	0518816600	0C4822	SUPPORTO SPILLONE	MEAT PROBE SUPPORT	
30	0856814000	0C4242	BACINELLA SNODABILE	DRAIN TRAY	
31	0806858800	0C4243	TUBO PER CONDENSA 1/1	DRAIN TUBE	
32	0516855300	006991	DADO SONDA CELLA	NUT, CAVITY PROBE	
33	0543842600	0C4872	TAPPO PER SENSORE	STOPPER FOR SENSOR	Level Touch, B
34	0214105101	020997	CONTRODADO PORTAUGELLO	LOCK NUT	
35	0508838701	002700	RONDELLA SONDA CELLA	WASHER	
36	0543816300	002624	GUARN. PER TENUTA SONDA	GASKET	
37	0516809400	002623	RACCORDO SONDA CELLA	CONNECTION, CAVITY PROBE	
38	0518818000	0C8561	MOLLA PER CHIUSURA	SPRING	
41	0806857201	0C4244	COND. SONDA LAMBDA	FLANGE TUBE	Touch
42	0543838300	0C4093	GUARNIZIONE BYPASS/LAMBDA	GASKET	
44	0543841300	0C4094	GUARN. VASC. CONDENSA	GASKET	
45	0806873000	0C6351	CONDOTTO FLANGIATO BY-PASS	DUCT, BYPASS PROBE	B
46	0543828902	007005	GUARN. CONDOTTO ARIA-COP.	GASKET, DUCT	
47	0611806001	006998	MOTORE	MOTOR	For K, TOUCH, B, Marine up to 2015/47, C 400V Bakery
47	0611809000	0C5287	MOTORE	MOTOR	for Level C and p1
47	0611807300	0C1474	MOTORE	MOTOR	for 208V 60 Hz
47	0611400100	0C6936	MOTORE	MOTOR	For Marine version from 2015/48 Touch 480V
48	0543816700	002873	O RING	O RING	
49	0516808902	002699	CUSCINETTO	BEARING	
50	0538815400	0C4138	FLANGIA FISS.TENUTA MOTORE	FLANGE	
51	0835400C00	0C7029	VENTOLA	FAN	
52	0617826300	006986	RESISTENZA (3.2 kW/230V)	HEATING ELEM. (3,2 kW/230V)	for 230V models
52	0617838800	0C6025	RESISTENZA (3.2 kW/200V)	HEATING ELEM. (3,2 kW/200V)	for 200V models
52	0617823301	006984	RESISTENZA (3.2 kW/400V)	HEATING ELEM. (3.2 kW/400V)	for 400V models up to 138...
52	0617400700	0C6500	RESISTENZA (3.2 kW/400V)	HEATING ELEM. (3.2 kW/400V)	for 400V models from
52	0617826400	0C0947	RESISTENZA (3,2 kW/440V)	HEATING ELEM. (3,2 kW/440V)	for 440V models up to 115
52	0617400P00	0C7053	RESISTENZA (3,2 kW/440V)	HEATING ELEM. (3,2 kW/440V)	for 440V models from 116
52	0617829100	0C1476	RESISTENZA (3.2 kW/208V USA)	HEAT. ELEM. (3,2 kW/208V USA)	for 208V USA
52	0617829700	0C1498	RESISTENZA (3,2 kW/240 V USA)	HEAT. ELEM. (3,2 kW/240V USA)	for 240V USA
52	0617400500	0C6943	RESISTENZA (3,2 kW/480 V USA)	HEAT. ELEM. (3,2 kW/480V USA)	for 480V USA
52	0617400501	0CA331	RESISTENZA (3,2 kW/480 V USA)	HEAT. ELEM. (3,2 kW/480V USA)	for 480V marine

06 GN 1/1 ELECTRIC CONVECTION / STEAM OVEN
FORNO CONVEZIONE / VAPORE ELETTRICO 06 GN 1/1

Pos	Factory Code	Spare part code	Descrizione	Description	Ref./Notes
53	0543816501	002689	GUARN. RESISTENZE CELLA	GASKET HEATING ELEM.	
54	0527834500	007002	ANGOLARE RESISTENZE	SUPPORT	
55	0503891801	006256	LAMA FISSAGGIO RESISTENZE	SUPPORT	
56	0527834400	007001	SUPPORTO RESISTENZE	SUPPORT	
57	0527898900	0C4857	PIASTRA CHIUSURA	FLANGE	for Level C e K
58	0516892000	0C6296	PERNO SPILLONE	PROBE PIN	
59	0856828300	0C4974	CONDOTTO UMIDIFICATORE	HUMIDIFIER PIPNG	for Level C e K
60	0516887101	0C6228	DADO CONDOTTO	NUT HUMIDIFIER	for Level C e K
61	-	0C6465	KIT SONDA LAMBDA	LAMBDA KIT	for level Touch
62	*	0CA757	KIT CHIUSURA PORTA	KIT CLOSING MECH.	Up to 6081...
62	835402M00	0CA733	ASSIEME CHIUSURA PORTA	COMPLETE CLOSING MECH.	From 6091...
63	0830400600	0C6572	MANIGLIA COMPLETA	COMPLETE DOOR HANDLE	for FCZ Group
63	0830400500	0C6569	MANIGLIA COMPLETA	COMPLETE DOOR HANDLE	for AOS Group
64	0830400N00	0C7028	SENSORE TEMPERATURA	TEMP. PROBE	Up to 2012/43
65	0830899101	0C6539	SENSORE TEMPERATURA	TEMP. PROBE	From 2012/44
66	0543400900	0C7016	GUARNIZIONE PER TUBO	PIPE GASKET	
67	0543816601	002692	TAPPO CARICO DISINCROST.	RECHARGE CAP FOR SCALER	
68	0543843201	0C4965	GOMMINO CHIUSURA ING.DISIN	GASKET	
			Pagina 4	Page 4	
100	0696808300	0C5516	ELETTROVALVOLA	WATER VALVE	for TOUCH and B
-	0544819400	0C5829	TUBO EPDM BLU	BLU PIPE EPDM	
-	0835872300	0C5385	FASCETTA NORMACLAMP	NORMACLAMP	
101	0543840600	0C4096	GUARNIZIONE FILTRO	GASKET	
102	0549801800	0C2312	VALVOLA NON RITORNO	NOT RE-FLOW VALVE	
103	0516879400	0C2313	RACCORDO ENTRATA ACQUA	PIPE FITTING	for TOUCH and B
105	0831811400	0C1155	ASSIEME FILTRO	FILTER	
106	0516896101	0C4198	RACCORDO PORTAGOMMA	PIPE FITTING	
107	0544809000	0C1117	VALVOLA NON RITORNO	NOT RE-FLOW VALVE	
108	0516871900	0C1116	RACCORDO PER POMPA	CONNECTION, PUPM	
109	0543832300	0C1935	O-RING	O-RING	
110	0680801201	0C2341	POMPA	PUMP	
110	0680801301	0C2342	POMPA	PUMP	for USA models
111	0652608800	0L2980	DOPPIA VALVOLA DI RITEGNO	DOUBLE CHECK VALVE	for AUS products
112	0511851200	*	GIUNTO M.3/4" - M.3/4"	COUPLING M.3/4"- M.3/4"	for AUS products
*	*	0C2309	TUBO POMPA - SERBATOIO	PUMP – TANK HOUSE	
116	0805400201	0C6202	ASS. COLLETTORE LAVAGGIO	CONNECTION	
117	0806871100	0C6031	ASS. SUPP. GETTO LAVAGGIO	SUPPORT	
118	0543841400	0C4201	GUARNIZIONE IN RAME	GASKET	
119	0516898301	0C4467	CUSCINETTO GETTO ROTANTE	BEARING	
120	0878400900	0C4202	DADO	NUT	
121	0806873900	0C5503	GETTO ROTANTE	ROTATING WASHING JET	

06 GN 1/1 ELECTRIC CONVECTION / STEAM OVEN
FORNO CONVEZIONE / VAPORE ELETTRICO 06 GN 1/1

Pos	Factory Code	Spare part code	Descrizione	Description	Ref./Notes
122	0518807100	007026	MOLLA	SPRING	
123	0544808100	0C1151	TAPPO PER SERBATOIO BLU	BLUE CUP	
124	0544808200	0C1152	TAPPO PER SERBATOIO ROSSO	RED CUP	
125	0873857102	0C4426	SERBATOIO DETERGENTE-BRIL	TANK	
126	0544808900	0C1154	PARATIA PER SERBATOIO ROSSO	RED BULKHEAD	
127	0544808400	0C1153	PARATIA PER SERBATOIO BLU	BLUE BULKHEAD	
129	0H22982600	007012	TUBO UMIDIFICATORE	HUMIDIFIER PIPE	for TOUCH and B
129	0856828600	0C4977	TUBO UMIDIFICATORE	HUMIDIFIER PIPE	for Level C e K
130	0696808200	0C5515	ELETTROVALVOLA	WATER VALVE	for Level C e K
131	0831857200	0C6370	ASS. COLLETTORE LAVAGGIO	CONNECTION,C.S.	
132	0696808600	0C6374	GRUPPO VALVOLE CLEANING	VALVE GROUP C.S.	for TOUCH USA
132	0696400700	*	GRUPPO VALVOLE CLEANING	VALVE GROUP C.S.	for TOUCH, B ,K
132	0878400A13	0CB654	GRUPPO VALVOLE CLEANYNG	VALVE GROUP C.S.	for Level C
133	0546825100	0C6222	FORCELLA SICUREZZA	CLIP	
134	0646817201	0C6217	PRESSOSTATO ATTACCO RAPIDO	CONNECTION FOR WASH ARM	
135	0513805000	0C5426	STAFFA SUPPORTO SERBATOIO	SUPPORT PLATE	
136	-	0C6467	KIT SUPPORTO SERBATOIO	KIT TANK SUPPORT	0C6199 +0C6201+ 0C6466
137	-	0C6375	KIT PARZIALIZZATORI DI FLUSSO	FLOW REDUCER KIT	
138	-	0C6377	KIT O-RING +BUSSOLA	O-RING +BUSH KIT	
139	0219035015	0C6421	ANELLO ELASTICO	ELASTIC RING	
140	0505401R00	0C7924	PIASTRINA FISSAGGIO POMPE	FIXING PLAQUE	
141	0544400C01	0C8348	PORTAGOMMA Ø5-1/8' CON OR	RUBBER HOLDER	Up to 5151...
141	0544400C02	0CA348	PORTAGOMMA Ø5-1/8' CON OR	RUBBER HOLDER	From 5161...
141a	0546400J00	0C9538	CAPPUCCIO DI PROT.	PROTECTION CAP	
142	0543400R00	0C7925	PASSACAVO	WIRING BUSH	
143	0546814600	0C2309	TUBO EXT	EXT. PIPE	
144	0246530100	005382	GOMMINO	GASKET	
145	0544819400	0C5829	TUBO EPDM BLU	EPDM PIPE	
146	0686400100	0C8347	POMPA DEFOND PHOENIX	PHOENIX DEFOND PUMP	Up to 4441...
146	0686400201	0CA112	POMPA CEME	CEME PUMP	From 4451...
147	0835400L00	0C8683	GRUPPO ENTRATA ACQUA	GROUP WATER INLET	
147	0835400M00	0C8684	GRUPPO ENTRATA ACQUA	GROUP WATER INLET	For level C
-	0831854100	0C5562	TUBO ACQUA WRAS	WATER INLET PIPE WRAS	
-	0835870400	0C3464	RIDUTTORE DI PRESSIONE	WATER PRESSURE REDUCER	
			Pagina 5	Page 5	
200	0878401100	0C9662	KIT ASSIEME BOILER	BOILER ASS.Y KIT	for TOUCH and B
200	0878401000	-	KIT ASSIEME BOILER	BOILER ASS.Y KIT	i1
201	0569806900	0C5836	KIT ISOLAMENTO	KIT ISOLATION	for TOUCH and B
202	0543816601	002692	TAPPO	STOPPER	for TOUCH and B
203	0543817500	002634	GUARNIZIONE	GASKET	for TOUCH and B
203	0543843201	0C4965	GUARNIZIONE	GASKET	for Level C e K

06 GN 1/1 ELECTRIC CONVECTION / STEAM OVEN
FORNO CONVEZIONE / VAPORE ELETTRICO 06 GN 1/1

Pos	Factory Code	Spare part code	Descrizione	Description	Ref./Notes
204	0830890500	007033	SONDA DI LIVELLO	LEVEL PROBE	for TOUCH and B
205	0516809501	007117	RACCORDO	CONNECTION	for TOUCH and B
-	0638893101	0C3678	CAVO SONDE DI LIVELLO	LEVEL PROBE CABLE	for TOUCH and B
206	0689400000	0CB250	VALVOLA DI SCARICO 230V	DRAIN VALVE 230V	for TOUCH and B
206	0689400500	0CB251	VALVOLA DI SCARICO 240V	DRAIN VALVE 240V	for TOUCH USA
207	0511820300	0C3847	MANICOTTO 1"-3/4"	CONNECTION 1"-3/4"	for TOUCH and B
-	0544820300	-	TUBO SCARICO BOILER	BOILER DRAIN PIPE	for TOUCH and B
-	0835874500	0C5549	FASCETTA SCARICO BOILER	CLAMP FOR BOILER DRAIN	for TOUCH and B
207a	0543816800	002874	O-RING	SEALING RING	for TOUCH and B
208	0516872000	0C1626	RESCA D12 FILETT 1/4' GAS	PIPE CONNECTION	
209	0516879600	0C4099	UGELLO 'ELPIS'1/4'FD3.5-3/8'M	NOZZLE	for TOUCH and B
210	0543842600	0C4872	TAPPO PER SENSORE	STOPPER FOR SENSOR	for TOUCH and B
211	0527898700	0C4856	FLANGIA FORO BOILER	FLANGE	for Level C e K
212	0543842800	0C4963	GUARN. CHIUSURA FORO BOILER	GASKET	for Level C e K
213	0546815103	0C4532	PANNELLO FRONTALE INFERIORE	PANEL	for TOUCH and B P80 models
214	0873881203	0C4248	DOCGETTA	SHOWER	for TOUCH (no UK version), Level B P80 models
214	0875402G01	0CA407	DOCGETTA	SHOWER	for o, z and i1 from 5211...
215	0543844800	0C5834	GUARNIZIONE BOILER	GASKET BOILER	for TOUCH and B
216	0617836300	0C5839	RESISTENZA BOILER (9 kW/400V)	BOILER HEAT. ELEM. 9 kW/400V	for 400V models
216	0617836800	0C6023	RESISTENZA BOILER (9 kW/200V)	BOILER HEAT. ELEM. 9 kW/200V	for 200V models
216	0617837300	0C5842	RESISTENZA BOILER (9 kW/230V)	BOILER HEAT. ELEM. 9 kW/230V	for 230V models
216	0616838200	0C5845	RESISTENZA BOILER (9 kW/440V)	BOILER HEAT. ELEM. 9 kW/440V	for 440V models
216	0617837000	0C5820	RESISTENZA BOILER (9 kW/208V USA)	BOILER HEAT. ELEM. 9 kW/208V USA	for 208V USA
216	0617837600	0C5823	RESISTENZA BOILER (9 kW/240V USA)	BOILER HEAT. ELEM. 9 kW/240V USA	for 240V USA
216	0617400000	0C6938	RESISTENZA BOILER (9 kW/480V USA)	BOILER HEAT. ELEM. 9 kW/480V USA	for 480V USA
217	0527898600	002874	O-RING	O-RING	for TOUCH and B
218	0527898600	0C4821	FLANGIA BOILER	FLANGE	for TOUCH and B
219	0515857001	055347	DISTANZIALE PER SONDA L=9	SPACER	for TOUCH and B
220	0543400000	0C7033	GUARNIZIONE PORTELLO	GASKET	for level TOUCH
221	0J89061403	0C3443	PORTELLO ISPEZIONE	INSPECTION COVER	for level TOUCH
222	0546821401	0C8597	PANNELLO FRONTALE INFERIORE	PANEL	Level C, B e K
223	0830899101	0C6539	SONDA BYPASS 1100 BIANCO	BYPASS PROBE 1100mm WHITE	for TOUCH and B
224	0544820101	0C5283	TUBO FLESSIBILE BOILER	BOILER HOSE	
			Pagina 6	Page 6	
300	0806874001	0C5600	MANOPOLA	HANDLE	C, B up to 2010/42
300	0548872200	0C4875	MANOPOLA	HANDLE	C, B from 2010/43
301	0214114900	051263	CONTRODADO	LOCK NUT	C, B
302	0508836400	002727	RONDELLA	DISK	C, B

06 GN 1/1 ELECTRIC CONVECTION / STEAM OVEN
FORNO CONVEZIONE / VAPORE ELETTRICO 06 GN 1/1

Pos	Factory Code	Spare part code	Descrizione	Description	Ref./Notes
303	0516807301	002662	BOCCOLA	BUSH	C, B
304	0548400403	0C6548	MEMBRANA TOUCH AOS MODELS	LAYER TOUCH A AOS MODELS	for TOUCH AOS
304	0548400B00	0C6551	MEMBRANA TOUCH FCZ MODELS	LAYER TOUCH FCZ MODELS	for TOUCH FCZ
304	0548400D01	0C6552	MEMBRANA LIV.B AOS MODELS	LAYER LEV. B AOS MODELS	for TOUCH AOS
304	0675855002	0C4948	MEMBRANA LIV.B FCZ MODELS	LAYER LEV. B FCZ MODELS	for TOUCH FCZ
304	0548400H00	0C6555	MEMBRANA LIV.C AOS MODELS	LAYER LEV. C AOS MODELS	for TOUCH AOS
304	0675855103	0C4949	MEMBRANA LIV.C FCZ MODELS	LAYER LEV. C FCZ MODELS	for TOUCH FCZ
304	0548401800	0C8083	MEMBRANA LIV. C BAKERY MOD	LAYER LEV. C MODELS	for level C Bakery
304	0548401F00	0C8705	MEMBRANA LIV. TOUCH "K"	LAYER TOUCH "K" AOS MODELS	For Touch "K" AOS
305	0875401604	0C6580	CRUSCOTTO + MEMBRANA TOUCH	CONTROL PANEL + LAYER TOUCH	for TOUCH AOS
305	0870400D00	0C6590	CRUSCOTTO TOUCH (NO MEMBRANA)	CONTROL PANEL TOUCH (NO LAYER)	for TOUCH FCZ
305	0870400201	0C6581	CRUSCOTTO LIV. B (NO MEMBRANA)	CONTROL PANEL LEV. B (NO LAYER)	for Level B AOS
305	0873895402	0C4899	CRUSCOTTO LIV. B (NO MEMBRANA)	CONTROL PANEL LEV. B (NO LAYER)	for Level B FCZ
305	0870400F00	0C6591	CRUSCOTTO LIV. C (NO MEMBRANA)	CONTROL PANEL LEV. C (NO LAYER)	for Level C AOS
305	0873895502	0C4900	CRUSCOTTO LIV. C (NO MEMBRANA)	CONTROL PANEL LEV. C (NO LAYER)	for Level C FCZ
305	0875401W00	0C8713	CRUSCOTTO TOUCH K CON MEMBRANA	CONTROL PANEL TOUCH "K" WITH LAYER	For Touch "K" AOS
-	0831844900	0C4930	FILTRO ARIA CRUSCOTTO	AIR FILTER CONTROL PANEL	
307	675400A00	0C6571	SCHEDA USER INTERFACE LIV.TOUCH	USER INTERF. BOARD, LEV. TOUCH	for Level TOUCH,K up to 2441...
307	675400P01	0C8805	SCHEDA USER INTERFACE LIV.TOUCH	USER INTERF. BOARD, LEV. TOUCH	for Level TOUCH,K from 2451 up to 4481
307	0675403100	0CB664	USER INTERFACE TOUCH	USER INTERF. BOARD, TOUCH	for TOUCH,K from 4491
307	0675838802	0C0041	SCHEDA USER INTERFACE LIV. B	USER INTERF. BOARD, LEV. B	for Level B
307	0675854600	0C4891	SCHEDA USER INTERFACE LIV. C	USER INTERF. BOARD, LEV. C	for Level C
307	0675854602	0C7350	SCHEDA USER INTERFACE LIV.C (1/2 VEL)	USER INTERF.BAORD. LEV.C(½ SPEED)	For Level C (start s/n 120...)
308	673400600	0CB546	SCHEDA POWER	MAIN POWER	for Level TOUCH,K
308	673400500	0CB545	SCHEDA POWER	MAIN POWER	for level B
308	673400800	0CB545	SCHEDA POWER	MAIN POWER	for lev. C 230-400V
308	673400700	0CB545	SCHEDA POWER	MAIN POWER	Lev. C 208-480V, BAKERY
-	0546814001	0C3750	DISTANZIALE ARCHETTO NYLON	SPACER NYLON	
-	0633847400	0C6564	CABLAGGIO USER - POWER	MAIN - USER CABLE	for TOUCH level
310	0638400Y00	0C6566	CAVO PROLUNGA USB	USB CABLE	for TOUCH level
-	0638400P00	0C6565	CAVO ALIMENTAZIONE USER	SUPPLY CABLE USER	for TOUCH level
311	0652800901	058871	FUSIBILE RAPIDO 6.30 A	FUSE FAST 6.3 A	
311	0652805100	0C2230	FUSIBILE RAPIDO 6.30 x3.2A	FUSE FAST 6.3 x 3.2A	for Marine models
311	0652805200	0C2236	FUSE RAPIDO 1.6A	FUSE FAST 1.6A	for 200V Japan
311	0652803900	0C2301	FUSIBILE OMEGA 800MA	FUSE OMEGA 800MA	
311	0652804900	0C3650	FUSIBILE 3,15A	FUSE 3,15A	for Marine models
311	0652803300	0C1480	FUSIBILE OMEGA 5X20 6,3A T	FUSE OMEGA 5X20 6,3A T	for USA models
311	0652806100	0C4996	FUSIBILE 5X20 3.15° T	FUSE 5X20 3.15° T	for e1,f1 (USA)

06 GN 1/1 ELECTRIC CONVECTION / STEAM OVEN
FORNO CONVEZIONE / VAPORE ELETTRICO 06 GN 1/1

Pos	Factory Code	Spare part code	Descrizione	Description	Ref./Notes
311	0652803100	0C6034	FUSIBILE OMEGA 5X20 1,6A T	FUSE OMEGA 5X20 1,6A T	for 200V Japan
311	0652400000	0C6946	FUSIBILE 3,15A T	FUSE 3,15 A T	For 480V
312	0652802100	0F0031	PORTAFUSIBILE	FUSE HOLDER	
312	0652804800	0C2228	PORTAFUSIBILE	FUSE HOLDER	for Marine models
313	0646812200	007042	LIMITATORE, CELLA	LIMITER, CAVITY	
313	0646810802	006314	LIMITATORE, CELLA	LIMITER, CAVITY	for USA and I1
314	0508840801	002628	FLANGIA	FLANGE	
315	0574804900	002627	VETRO	GLASS	
316	0543842000	002626	GUARNIZIONE	GASKET	
317	0660400200	0CB661	LAMPADA ALOGENA	HALOGEN LAMP	
318	0660806401	007055	PORTALAMPADA	LAMP HOLDER	
319	0508896801	007081	FARFALLA	CLOSER	
320	0680802300	0C5501	MOTORIDUTTORE	MOTOREDUCER	Up to 219...
320	0680400100	0C8687	MOTORIDUTTORE	MOTOREDUCER	From 220...
320	0680802400	0C5502	MOTORIDUTTORE	MOTOREDUCER	Up to 244... for USA models
320	0680802B00	0C8695	MOTORIDUTTORE	MOTOREDUCER	From 245... for USA models and pos. I1
321	0856832702	0C5525	ASTINA PER CONDOTTO ARIA		
322	0543828600	007053	GUARNIZIONE	GASKET	
323	0831855100	0C5527	CONDOTTO ARIA	DUCT, AIR	
324	0682400700	0CB143	VENTILATORE	FAN	
325	0694605400	049303	FILTRO ANTIDISTURBO	FILTER	not Marine and USA
326	0639805201	058875	MORSETTIERA	TERMINAL BOARD	
326	0639808700	0F0035	MORSETTIERA	TERMINAL BOARD	for USA models
326	0639813100	0C6028	MORSETTIERA	TERMINAL BOARD	for Japan models
327	0694604400	047541	CONDENSATORE 12.5 Mf	CAPACITOR 12.5 MF	for Level K, Touch, A e B not for USA models
327	0694806000	0C5526	CONDENSATORE DA 8 MF	CAPACITOR 8 MF	for Level C – not marine and USA
328	0624400100	0C6895	TRASFORMATORE	TRANSFORMER	Up to 3291 except for Japan, USA and Marine models
328	0624400900	0C9557	TRASFORMATORE	TRANSFORMER	From 3301 except for Japan, USA and Marine models
328	0624807100	007046	TRASFORMATORE	TRANSFORMER	For Japan models
328	0624807700	0C0949	TRASFORMATORE	TRANSFORMER	for Marine models except for I1
329	0648803001	058857	RELE	RELE	for TOUCH and B
329	0648722900	088267	RELE	RELE	for TOUCH USA
330	0624807002	007047	ALIMENTATORE SWITCHING	SWITCHING FEEDER	for Level TOUCH

06 GN 1/1 ELECTRIC CONVECTION / STEAM OVEN
FORNO CONVEZIONE / VAPORE ELETTRICO 06 GN 1/1

Pos	Factory Code	Spare part code	Descrizione	Description	Ref./Notes
331	0648807300	088477	CONTATTORE K3-10A	CONTACTOR K3-10A	
331	0648807400	006879	CONTATTORE K3-18A	CONTACTOR K3-18A	200, 208, 230, 240V
331	0648400000	088557	CONTATTORE K1-09D10	CONTACTOR K1-09D10	For 480V
332	0509803900	0C4459	RIFLETTORE	REFLECTOR	
333	0648805200	0F0045	TERMICO	THERMIC	for Marine models
334	0624400002	0C6945	TRASFORMATORE	TRANSFORMER	For USA and I1
335	0648802601	056466	RELE	RELE	for TOUCH USA
336	0543843500	0C5451	GUARNIZIONE	GASKET	
337	0646814900	0C2983	LIMITATORE, BOILER	LIMITATORE, BOILER	TOUCH and B except for USA and I1
337	0646810902	006433	LIMITATORE, BOILER	LIMITATORE, BOILER	USA (touch and B) and I1
338	0546400200	0C6547	VASCHETTA USB	USB PLUG	for TOUCH level
339	0541400A00	0C6546	COPERTURA USB	USB COVER	for TOUCH level
342	0675858601	0C8033	TASTO ON-OFF (INTERR.PRINCIPALE)	ON-OFF (MAIN SWITCH)	for TOUCH level
343	0648722900	088267	RELE' SICUREZZA	SAFETY RELE	
344	0831851003	0C4934	ASSIEME FILTRO CRUSCOTTO	ASS. FILTER CONTROL PANEL	not for q1
345	0549400J00	*	FILTRO CRUSCOTTO	FILTER CONTROL PANEL	
			Pagina 7	Page 7	
400	0831850400	0C5018	PORTATEGLIE DX P60	TRAY SUPPORT DX P60	
400	0831852402	0C5015	PORTATEGLIE DX P80	TRAY SUPPORT DX P80	for P80 models
401	0831850500	0C5019	PORTATEGLIE SX P60	TRAY SUPPORT SX P60	
401	0831852302	0C5014	PORTATEGLIE SX P80	TRAY SUPPORT SX P80	for P80 models
402	0806872800	0C4961	SUPPORTO CON S.G.	SUPPORT S.G.	
403	0511828100	0C5620	SUPPORTO	SUPPORT	
*	0527839102	0C1567	ELEM. DX PER STRUTTURA	DX ELEMENT	For Marine Version
*	0527839202	0C1568	ELEM. SX PER STRUTTURA	SX ELEMENT	For Marine Version
*	0853853405	0C3459	ASS.STR. PORTATEGLIE	TRAY SUPPORT	For Marine Version
*		0C9499	KIT SCARICO	DRAIN KIT PIPE	
			SONDE DI TEMPERATURA	TEMPERATURE PROBES	
	0830400N00	0C7028	SONDA CELLA 500mm ROSSA	CAVITY PROBE 500mm RED	
	0830899001	0C0325	SONDA BOILER 800mm AZZURRA	BOILER PROBE 800mm BLUE	for TOUCH and B
	0830899101	0C6539	SONDA BYPASS 1100 BIANCO	BYPASS PROBE 1100mm WHITE	for TOUCH and B
*	*	0CB434	KIT MANUTENZIONE SEMESTRALE FORNI ELETTRICI 6 1/1	BIANNUAL MAINTENANCE KIT OVEN - ELECTRIC 6 1/1	12+23+42+53+215+316+317+336+0CA120+0Q0006+0C9992
*	*	0CB435	KIT MANUTENZIONE ANNUALE FORNI ELETTRICI 6 1/1	YEARLY MAINTENANCE KIT OVEN - ELECTRIC 6 1/1	12+23+42+48+49+53+207a+215+316+317+336+0CA120+0Q0006+0C9992